

ledgebit[®]

Smarter. Safer. **Simpler.**

Ledgebit Wi-Fi Smart Curtain Track Kit - **User Manual**

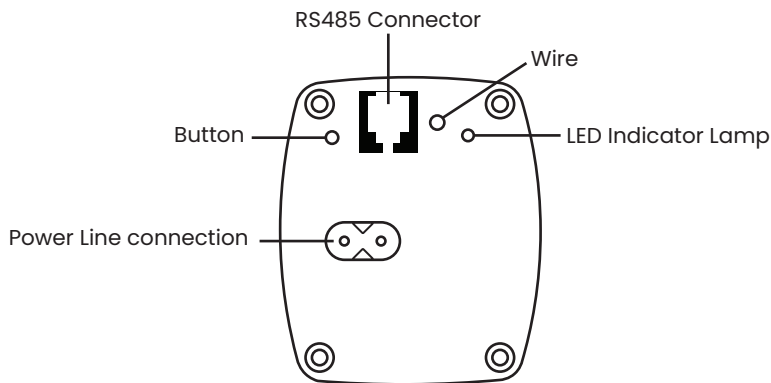


Main Specification:

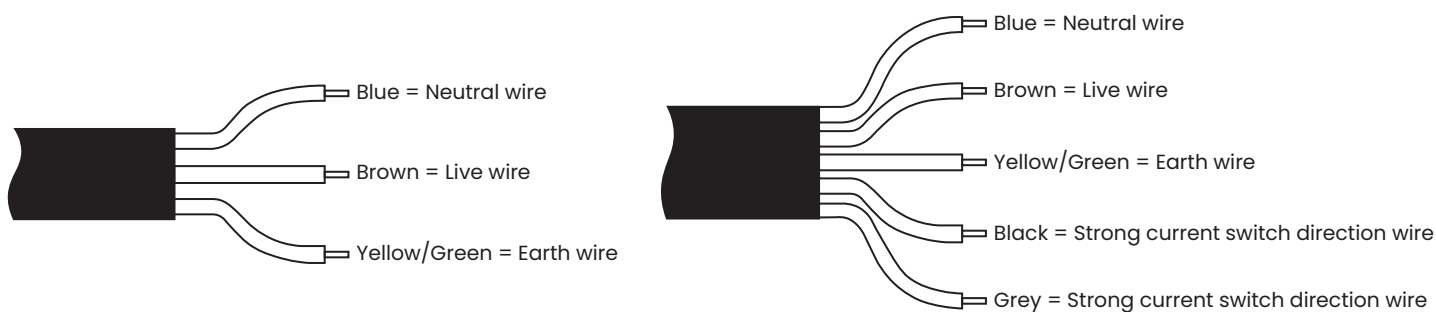
Rated Torque	Running speed	Wireless frequency	Working Voltage	Rated Power	Rated Current	Max Load	IP Grade	Working Temperature
1.2 N.m	14 cm/s	433.92 MHz	100~240 V	24 W	0.26 A	50 Kg	IP20	-10~55 °C

(Note: The above parameters should be subjected to the actual product label.)

Model Diagram:

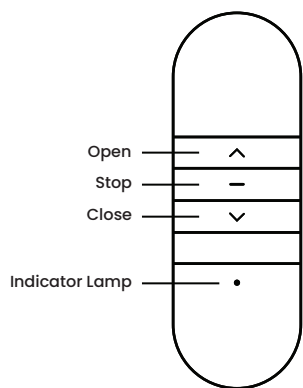


Wiring Diagram:

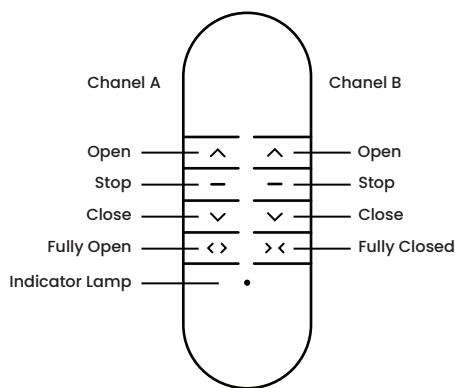


- **Three-core wire**: Blue = Neutral wire; Brown = Live wire; Yellow/Green = Earth wire. Three plugs are available.
- **Five-core wire**: Blue = Neutral wire; Brown = Live wire; Yellow/Green = Earth wire; Black/Grey = Strong current switch direction wire.

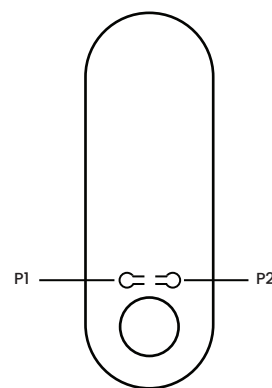
Key Description of Emitter (Remote Control):



Single Channel Remote



Double Channel Remote



Back

Single Channel Remote:

- Up arrow (^) = Open (open the curtain)
- Dash (-) = Stop (stop the curtain)
- Down arrow (v) = Close (close the curtain)
- Indicator Lamp present

Double Channel Remote:

- <> = Fully open (open A/B channel curtains at the same time)
- >> Fully close (close A/B channel curtains at the same time)
- A Channel: Open, Stop, Close buttons
- B Channel: Open, Stop, Close buttons
- The remaining keys function the same as single channel
- P1 and P2 buttons on the back

Common Problems and Solutions:

No.	FAQ	Solution
1	Motor failure	Check power
2	Emitter out of control	Change the emitter battery
3	Emitter switch reverse	Perform a reverse operation (using Emitter or APP)
4	Reverse external switch	Replace switch wiring sequence
5	Can not meet in the middle	<ol style="list-style-type: none">1. Check whether the switch direction of the transmitter is set. If it is, perform reverse operation.2. Check the trip, and reset it after it is cleared.
6	Always hits or misses the side	Delete the stroke, and reset the stroke and boundary
7	Hand stuck	Set travel boundary
8	Do not stop at obstacles	Check upper and lower cover of track, and fix screws

Warning Instructions for Electric Curtain Motor:

Important safety instructions:

Improper installation may result in serious personal injury. Please follow all instructions strictly. Before installing the motor, remove all irrelevant power lines and disable all equipment except those needed for power supply.

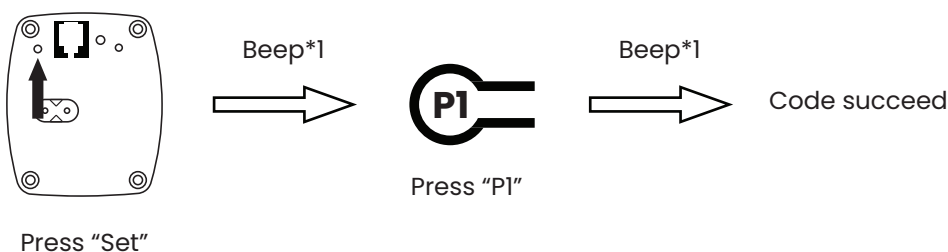
- The installation height of the manually controlled brake mechanism shall not exceed 1.8 m.
- The brake member of the self-reset switch shall be installed within the linear visual range of the driven part, away from the moving part. Its height shall not be less than 1.5 m.

Additional important safety instructions (essential for personal safety):

- Install motor and accessories strictly in accordance with the instructions.
- Keep the product number and nameplate properly.
- Persons (including children) with physical, sensory or mental disorders or lack of experience/knowledge shall not use the product.
- Do not allow children to play with the fixed control switch. Keep the emitter out of reach of children.
- Always check that the installation is balanced and that wire spring screws are not loose, worn, or damaged. Discontinue use if maintenance or adjustment is required.
- Do not store the motor with strong acid, strong alkali, dirty, or corrosive materials.
- Do not use motor in damp environment.
- Install the actual load according to the rated load of the motor.
- Do not start the motor frequently or run overload to avoid reducing service life.
- Do not allow persons (including children) with physical, sensory, or mental disabilities or lack of experience to use it.
- The fixed controller must be installed in a visible position.
- The power cord should not be directly exposed to sunlight or rain. Power cord should be installed indoors. Black ordinary hard rubber sheathed flexible cord can be used outdoors if it meets ICE60811 Chapter 11 (EN60335-297) test standard (sheathed carbon content >2%).
- The actuator of the self-reset switch shall be installed within linear visual range of the driven part, away from moving parts, height ≥ 1.5 m. Fixed controller in visible position.
- Moving parts of the motor must be installed >2.5 m above ground or accessible platform.
- Rated working time of the motor is 4 minutes. Motor cannot be restarted until temperature returns to ambient.
- Disconnect power supply when repairing the motor.
- Contact professional if power cord is damaged.
- Contact professional for repair/ replacement if motor is damaged.
- Do not disassemble the motor yourself.

Operating Instructions for Smart Curtain Motor

1. Code 1



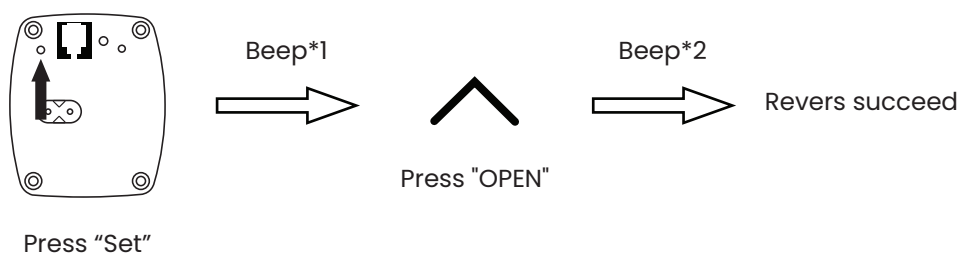
- Note:**
1. Operation effective within 30 seconds.
 2. Double channel: P1 key codes the right channel; P2 key codes the left channel.

2. Delete Code:



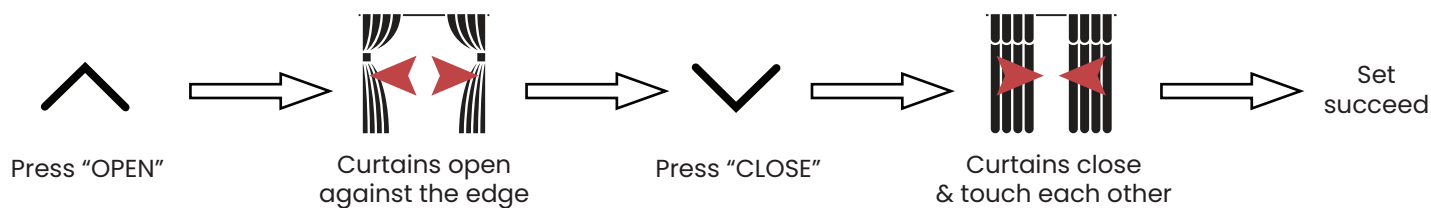
- Note:**
1. The above operation is effective within 30 seconds;
 2. In the double channel, the left side stop button is used to delete the motor controlled on the left side; Right stop key to delete the motor controlled on the right.

3. Reversing:

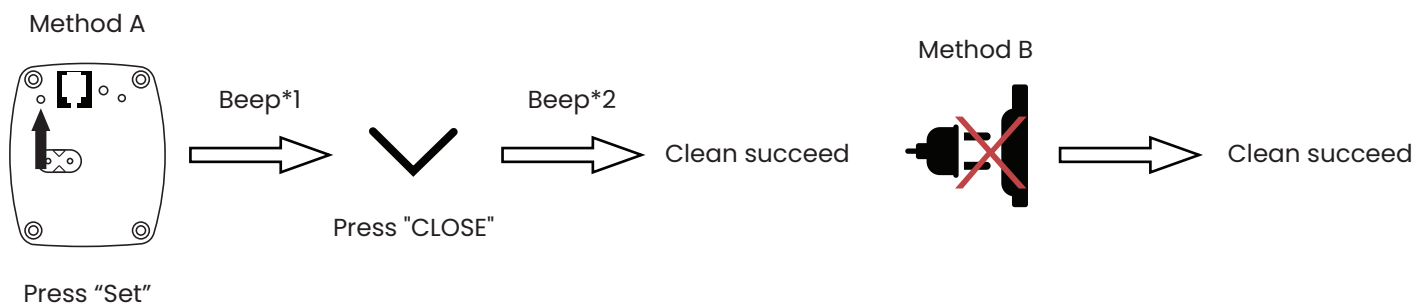


- Note:**
1. The above operation is effective within 30 seconds;
 2. In the double channel, open the left button to control the motor reversing on the left; Open the right key to control the motor reversing on the right.

4. Set stroke:

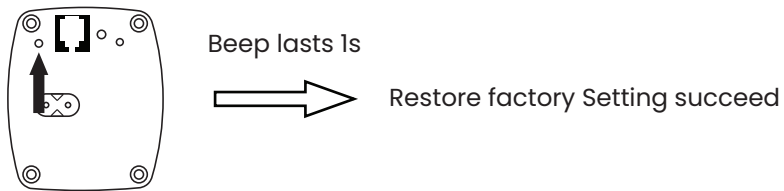


5. Cleaning schedule:



- Note:**
1. The above operation is effective within 30 seconds;
 2. In the dual channel, close the left button to clear the motor stroke controlled on the left; Close the right key to clear the motor stroke controlled on the right.

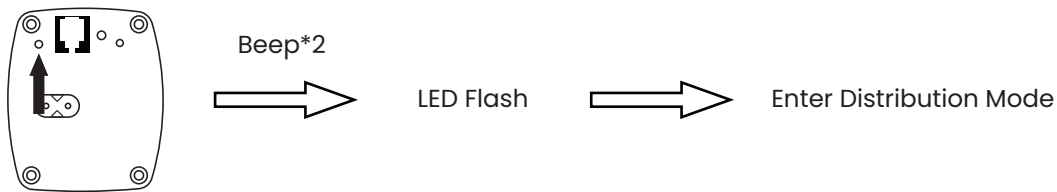
6. Restore factory Settings:



Long press "SET" 6s

Note: After resuming factory settings, it will delete the check code, clear the stroke, clear the limit, and clear the Wi-Fi connection.

7. Distribution Net:



Long press "SET" 3s

8. Networking:

WI-FI Networking - Make sure the curtain goes into the distribution mode (indicator light flashes quickly). Refer to the instructions for specific operation.

Note: The motor with WiFi function is required for networking.

Contact Information



Ledgebit Technologies Private Limited, 401, Vipul Trade Center, Sec 48, Gurugram, Haryana 122018



www.ledgebit.com



sales@ledgebit.com



+91-9810320256