

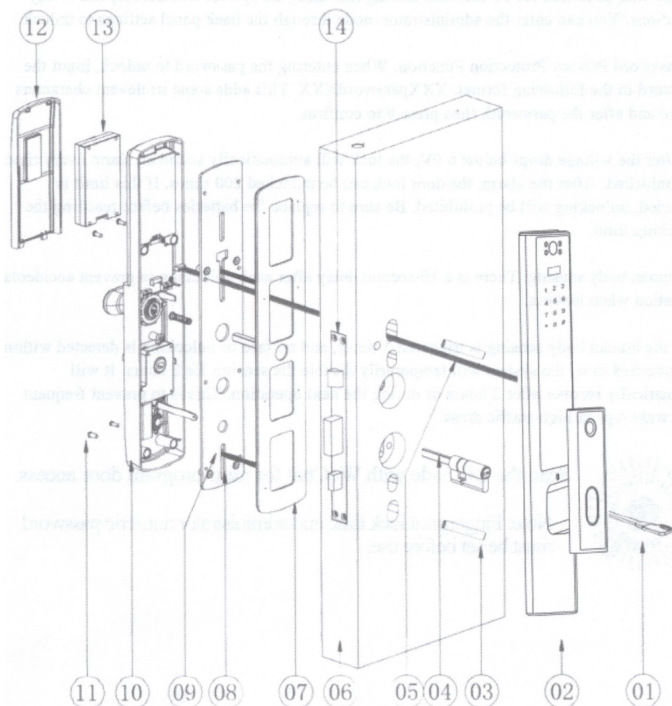
Smart Door Lock

User Manual



Please read this manual carefully before use and keep it for future reference.

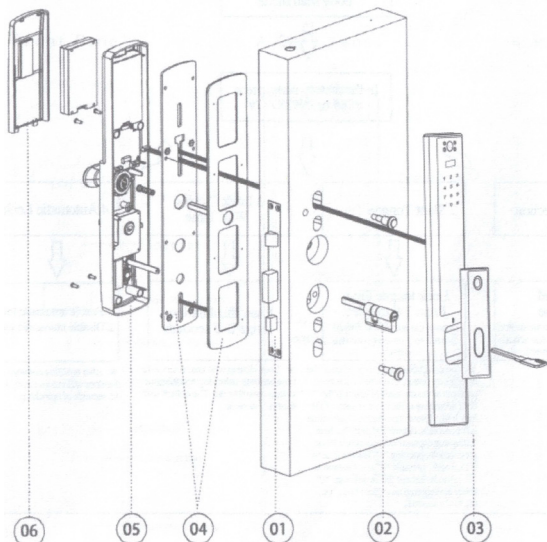
Composition Structure of Fully Automatic Smart Lock



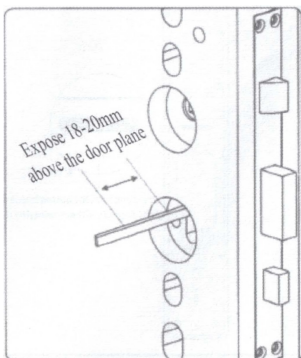
No.	Name	Quantity	No.	Name	Quantity
01	Blade Key	2	08	Rear Bottom Plate	1
02	Front Lock Body	1	09	M5 Fixed Screw	2
03	Fixed Pillar	2	10	Rear Panel Assembly	1
04	Lock Core	1	11	M4 Fixed Screw	4
05	Mainboard Connecting Wire	1	12	Battery Cover	1
06	Door	1	13	Lithium Battery	1
07	Silicone Pad	1	14	Lock Body	1

Installation Diagram for Fully Automatic Smart Lock

Installation Sequence Diagram



1. Begin by installing the lock body, securing it with four M5*6 screws.
2. Install the lock core, using the screws provided, ensuring that the lock core's rotating shaft copper strip faces the interior. The length of the copper strip exposed outside the door should be 18-20mm above the door plane (as shown in Figure 2). Cut the copper strip only after installing the lock core.
3. Mount the front panel.
4. Install the bottom plate (add a silicone pad), securing the front panel with two M5 screws.
5. Connect the data cable between the front and back panels. Align the holes and attach the back panel, securing it with four M4 screws.
6. Insert the lithium battery, close the battery cover, and complete the installation;
7. Expose 18-20mm above the door plane



Section II: Product Features

1. Door Opening Methods: Various methods such as fingerprint, password, IC card, mechanical key, WeChat Mini Program, etc., providing you with a diverse door-opening experience (actual configuration may vary).
2. Fingerprint: Utilizes advanced semiconductor sensors with a 360-degree recognition angle, wide fingerprint collection area, high resolution, and effective prevention of fake fingerprints.
3. Password: Employs stylish and advanced touchscreen keypad technology. It allows the addition of 12 unrelated digits before and after the correct password, effectively preventing the embarrassment of entering the password in a group setting.
4. Dual Verification Mode: Allows setting up fingerprint, password, and card combinations for unlocking. Only when two users verify simultaneously can the door be opened, suitable for special occasions.
5. User Management: Administrators have the highest authority (ordinary users can only open/close doors), with the ability to edit and set the lock. There can be up to 9 administrators (fingerprint, password, card), with a total capacity of 300 users.
6. Alarm Function: The device includes anti-pry alarm, low-voltage alarm, and error attempt alarm.
7. Backup Power Supply: When the battery is depleted, the lock can be emergency powered using a 5V mobile power supply.

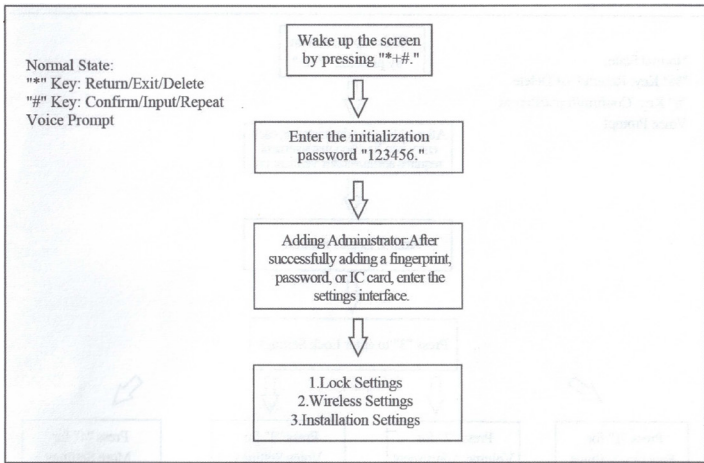
Section III: Precautions

1. After installing a new lock, perform a restore initialization operation to clear fingerprints entered during installation and debugging.
2. The handle is a critical part for opening and closing the door. Its flexibility directly affects the use of the door lock, so please avoid hanging objects on the handle.
3. When collecting fingerprints, use moderate finger pressure to prevent scratches on the fingerprint collection head.
4. Avoid prolonged use of batteries. It is generally recommended to charge at least once every 3 months. Battery leakage can damage the smart lock.
5. This lock uses an 8.4V high-performance lithium battery. When prompted with "low battery, please replace the battery" for the first time, it can still open the door about 100 times, depending on the battery capacity. Charge promptly to avoid inconvenience due to battery depletion.
6. After five consecutive input errors via fingerprint, card, or password, the device will sound an alarm, and the lock will be unusable for 90 seconds.

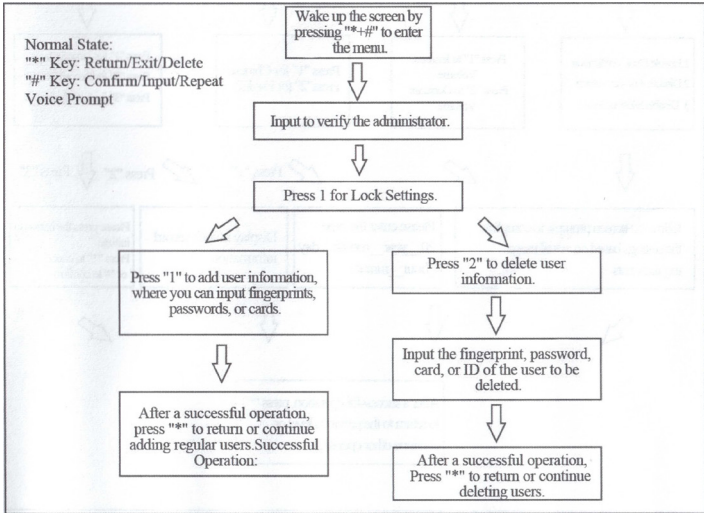
Section IV: User Guide

Initialization Operation: Use a card pin to press the small hole in the middle of the back panel's unlock/lock button for 5 seconds. The voice prompt will say "Initialization successful." The factory password is "123456," and after entering administrator information, the factory password "123456" will be automatically deleted.

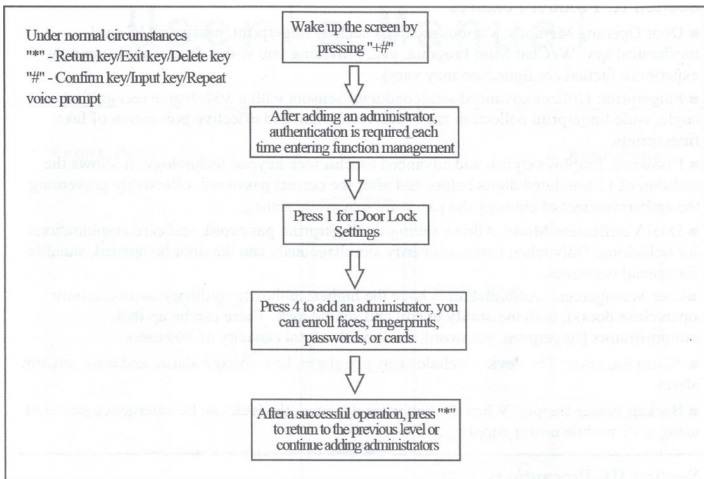
Entering Lock Function Management (Offline Mode)



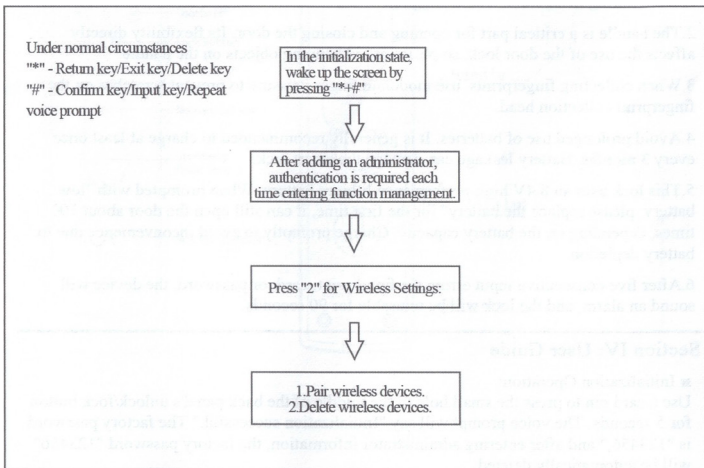
Adding/Deleting Users



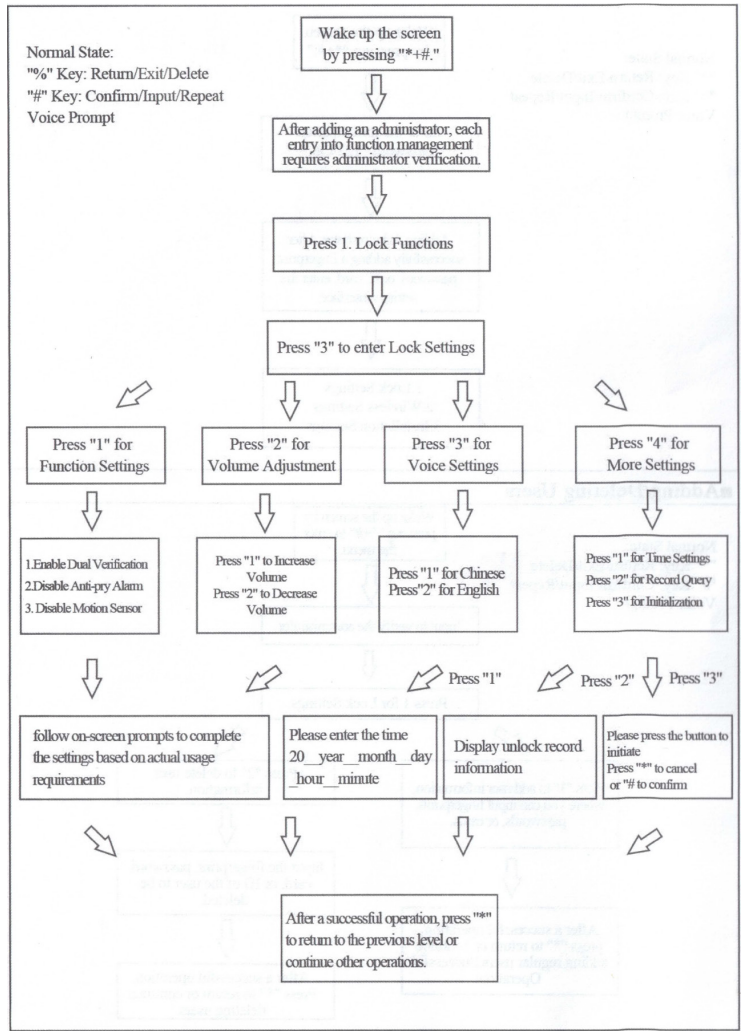
Adding Administrator



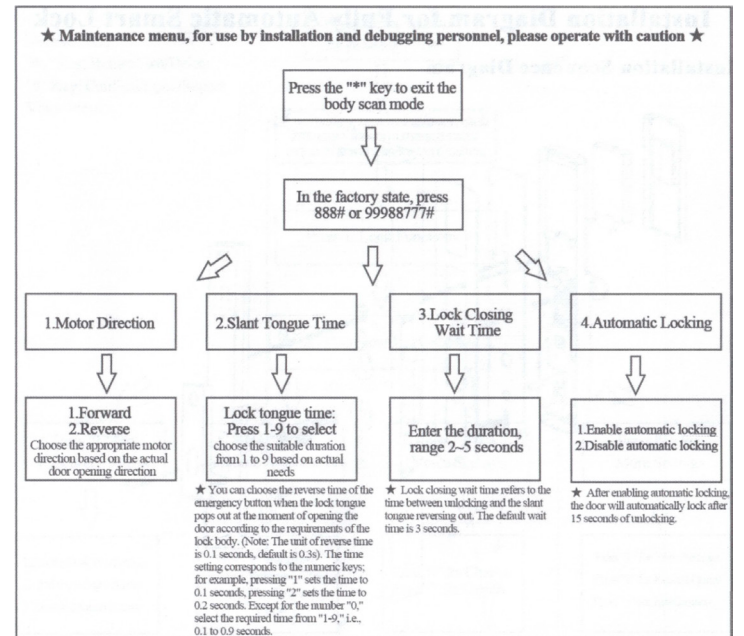
Wireless Settings



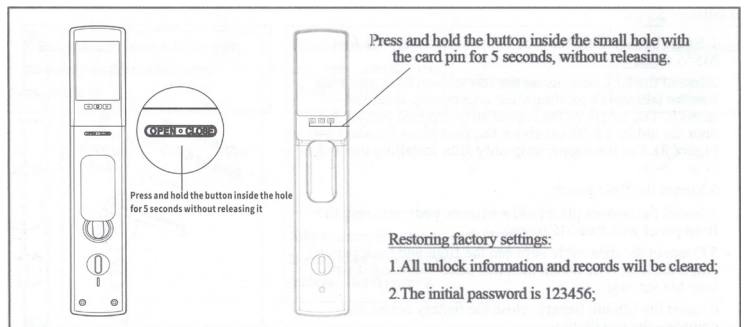
Lock Settings



Maintenance Menu



Restore factory settings



Other Instructions

1. If the wrong password is entered more than 5 times consecutively within five minutes, the keypad will be locked for 90 seconds. During this time, the system will not respond to any operations. You can enter the administrator mode through the back panel settings to unlock.
2. Password Privacy Protection Function: When entering the password to unlock, input the password in the following format: XXXpasswordXXX. This adds some irrelevant characters before and after the password, then press # to confirm.
3. After the voltage drops below 6.9V, the lock will automatically sound an alarm every time it is unlocked. After the alarm, the door lock can be unlocked 200 times. If this limit is exceeded, unlocking will be prohibited. Be sure to replace the batteries before reaching the unlocking limit.
4. Human body sensing: There is a 10-second delay after each unlocking to prevent accidental activation when leaving.
5. If the human body sensing is triggered 5 times, and no face or unlocking is detected within the specified time, the system will temporarily disable the sensing for 2 hours. It will automatically recover after 2 hours or during the next operation. This is to prevent frequent false wake-ups in high-traffic areas.

Note: Fingerprint lock time and administrator numeric password must be set before use.

Tuya Smart Related Operations

Note: If no user is registered, any fingerprint can unlock it. Indoor Smart Lock Bluetooth Tuya Operation Guide APP Introduction and Acquisition.



The 'Tuya Smart APP' is a smart device management app provided by Tuya for end consumers. Through the 'Tuya Smart APP', you can easily configure and control smart products throughout the house, set up your favorite scenes and automation solutions, share your smart devices with family and friends, and enjoy the fun of a fully smart home. Download APP: Search for 'Tuya Smart' in the app market or 'Apple App Store' or scan the above Tuya APP QR code to download.

1. Enter the smart lock menu settings: Press " * " # " , verify administrator, enter menu settings after verification.
2. Network Configuration: After entering the menu settings, select the function operation corresponding to the number press 2 for remote management → network settings in progress
3. After completing the menu operation on the smart lock, turn on the mobile phone WIFI to connect to the internet, then enter the Tuya APP, and operate as shown in the following figure:

1. Add devices
2. Enter the distribution network state
3. Select a 2.4GHz WiFi network and enter the password
4. Wait until the device is successfully connected
5. Complete the network connection
6. After connection, you can unlock the phone